



Analytical Industries Inc.
Advanced Instruments Inc.

AII-2000 PALM R % O2 ANALYZER

AII-2000 Palm O2 R is palm sized hand held percent oxygen analyzer with external sensor, measures O2 concentrations from 0 to 100%. Features

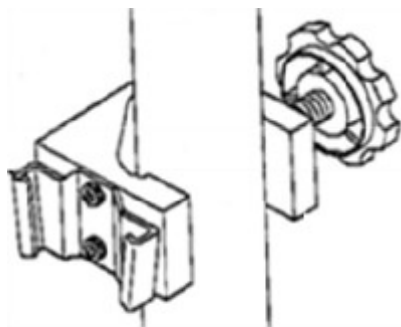
- an advanced galvanic oxygen sensor
- 32 month sensor operating life; no maintenance required
- 13,000 hours of battery use
- wide variety of optional accessories
- cost effective choice for checking O2 levels in lab experiments, air tanks



TECHNICAL SPECIFICATIONS

Accuracy:	< +2% of FS range under constant conditions	Analysis:	0%-100% oxygen
Application:	Verify ambient O2 levels of confined spaces	Calibration:	100% oxygen or air after 8 hrs of use
Compensation:	Temperature	Connections:	1x16 mm thread (see options below)
Controls:	Soft touch keypad for ON/OFF and Calibration	Dimensions:	2.72" x 4.1" x 1.35"; weight 7 oz. (196 grams)
Display:	3 digit LCD 1.1" x .625"; resolution 0.1% O2	Flow Sensitivity:	None between 0.2 to 10 liters per minute
Humidity:	Non-condensing 0-95% RH	Linearity:	+1% under constant conditions
Pressure:	Inlet – ambient or regulated; vent – atmospheric	Power:	(2) 1.5V AA alkaline batteries; 13,000 hrs of use
Response Time:	90% of final FS reading in 10 seconds	Sensitivity:	< 0.5% of FS range
Sensor:	AII-11-75-PO2R	Sensor Life:	32 months in air at 25°C and 1 atmosphere
Storage Temp.:	-20° to 60°C (-4°F to 140°F) on intermittent basis	Temp. Range:	5° to 45°C (41°F to 113°F)
Warm-up Time:	None	Warranty:	12 months analyzer; 12 months sensor

Optional Accessories



**HRWR-1075 Dovetail
Clamp Pole or Shelf**

A-3657-1 Dovetail Mounting Kit



**A-3657 Dovetail Bracket
HRWR-1162 Screw 1/4-20 x 3/8"**